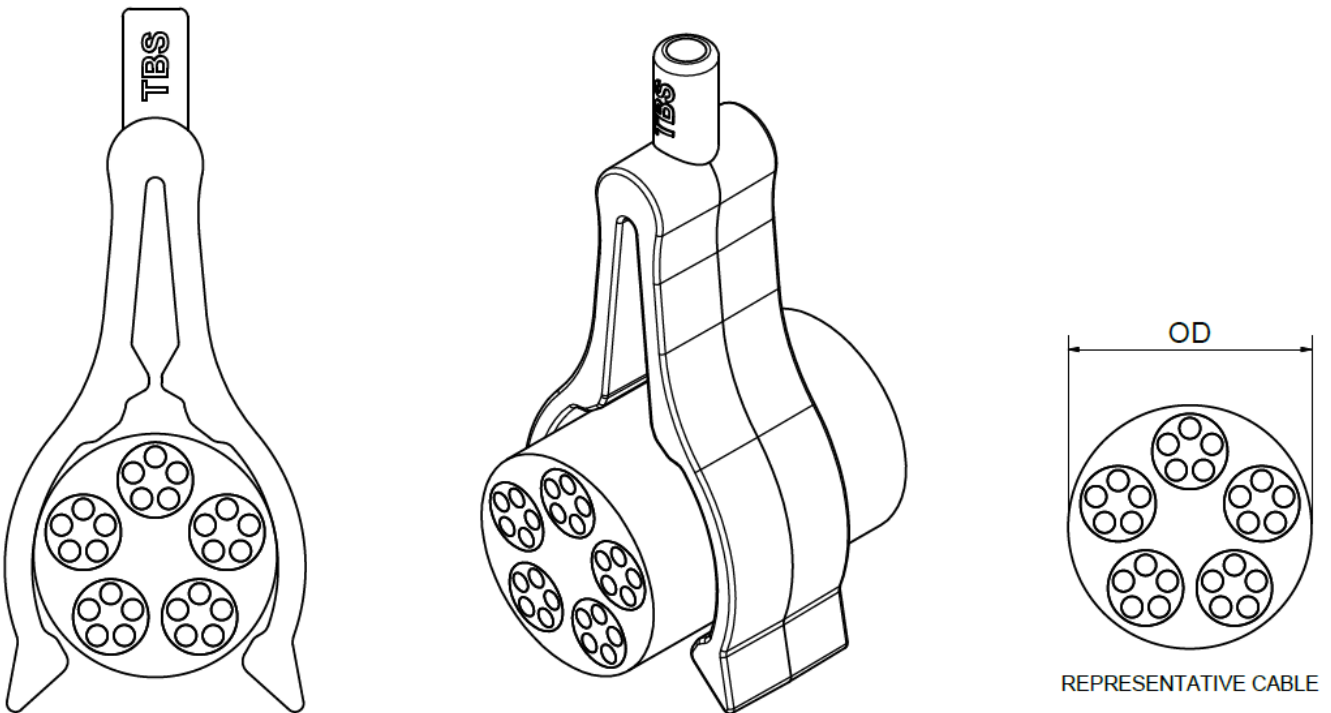


TBS CABLE SEE SIZING GUIDE

The below sizing guide provides the recommended Cable See selection for solid cylindrical cables. For applications with hollow cores (e.g. piping and hoses) or non-standard shapes please contact one of our friendly sales team via admin@tbsminingsolutions.com



CABLE SIZING GUIDE		
CABLE SEE DESIGNATION	MINIMUM CABLE OD	MAXIMUM CABLE OD
M	53	66
L	63	76